



CoolPro

Universal Repeater Enclosures for HDSL, T1, ISDN and DDS Cards

The CoolPro™ repeater enclosure is designed to withstand the toughest outside plant environments. These stainless steel enclosures provide long-term maintenance-free service in any environment. The optimized heat dissipation design and slot configuration allow full deployment of 4 or 8 single-wide repeater cards for use in HDSL, T1, ISDN or DDS networks. The seamless enclosure can be installed above or below ground and is available in vented or pressurized models.

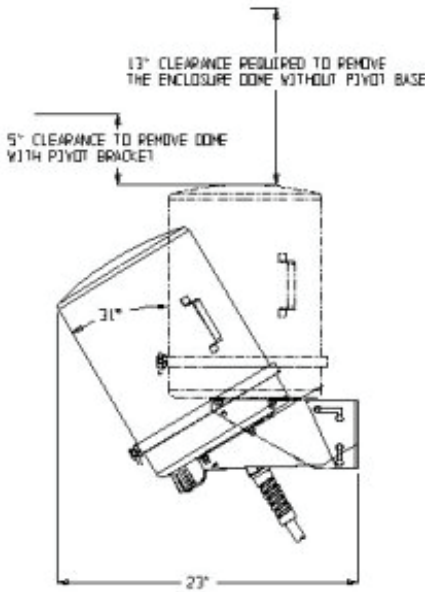
Product Highlights

- Heavy gauge stainless steel construction for maximum heat dissipation
- Lightweight and easy to install
- Easily accessible connectors, gas tubes and order wire
- Fully deployable with a broad range of standard card configuration without adapters
- Options:
 - Pressurized or vented
 - Lightning protection
 - Test blocks
 - Pivot bracket
- Meets all applicable requirements for OSP telecom enclosures according to:
 - TR-TSY-000056
 - TR-NWT-000078
 - GR-63-CORE
 - GR-487-CORE
 - GR-1361-CORE
 - GR-2834-CORE

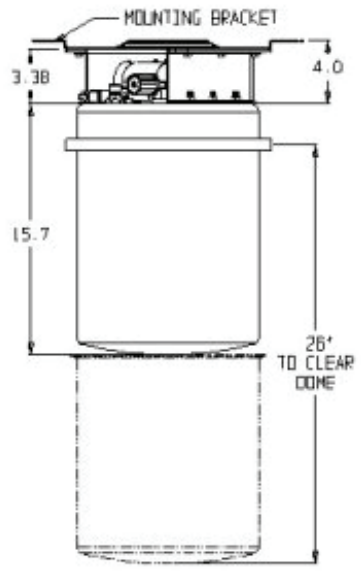


Product Specifications

- Housing Construction: Cover and base made of heavy gauge 316L seamless stainless steel
- Environmental Range: -40° to +145° F (-40° to +63° C)
- Relative Humidity: without pressurization: 95%
pressurized: 100%, submersible
- Pressurization: 12 psi maximum - limited by pressure relief valve
- Security: Cover can be padlocked
- Order Wire: External access, easily removable cap with O-ring seal
- Mounting: Pole, backboard or underground rack mount
- Lightning Protection: 3-element gas tube (optional)
- Test Blocks: for easy access to cable pairs (optional)



Clearance requirements for 12-slot vertical mounting



Clearance requirements for 12-slot horizontal mounting

Dimensions and Weights

MODE L	DIMENSION	WEIGHT
4 Unit	9.25" diameter	16 lbs. with 30' cable stub
	Housing/Mounting Bracket joined 16.75" L	22 lbs. boxed shipping weight
8 Unit	12.5" diameter	35 lbs. with 30' cable stub
	Housing/Mounting Bracket joined 18" L	42 lbs. boxed shipping weight